

Access Pipe - Round Door

CIS41



Technical Data

- Reaction to fire according to EN 13501: A1. (Non combustible)
- Chemical resistance to wide range: pH2 to pH12
- Tensile strength: ≥ 150 MPa
- Compression strength: ≥ 450 MPa
- Shear strength: ≥ 165 MPa
- Density: approx. 7.2 kg/dm^3 (71.5 kN/m^3)
- Acoustic rated according to EN 14366:2005
- Low thermal expansion (0.0105 mm/mK)

Applicable Standards

- Pipe and Fittings Standard: EN 877
- Design Standard: DIN 19522
- Quality standard: RAL-GZ 698

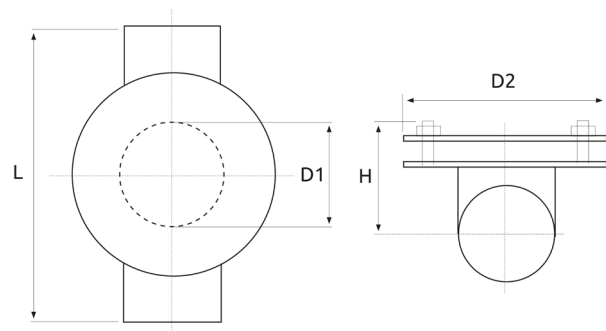


Features and Benefits

- Excellent acoustic properties
- Fully recyclable
- High durability and abrasion resistance
- Optimum corrosion protection
- Sturdy and dimensionally stable
- Rapid and simple assembly

Material Specifications

Description	Materials
Core	Grey Cast Iron with lamellar graphite
Coating	Cross-linked red-brown colour resin epoxy coating ($40 \mu\text{m}$)



Product Codes and Dimensions

STOCK NO.	Nominal Diameter (mm)	L(mm)	H(mm)	D1(mm)	D2(mm)	Weight (KG)
52143	50	190	59	53	105	2.30
52144	70	210	69	73	125	2.78
52145	100	260	84	104	159	4.80